

ULTRABLADE PRO RECESSED EXIT



Recessed Architectural Blade Exit

The sophisticated look and design of the Ultrablade Pro will satisfy all architectural requirements for a premium recessed exit.

With its low profile design, only 80mm of ceiling space is required during installation, combine this with a reduced reflection and halo effect on the diffuser and a decal that is scratch and fingerprint resistant. It is no wonder the Ultrablade Pro is the industry standard for an architectural blade exit.

Applications

-  Office Buildings
-  Shopping Centres
-  Galleries
-  Retail Outlets
-  Theatres
-  Apartments

TRADE
SERIES
THE TRADES CHOICE

LP LITHIUM IRON PHOSPHATE
PREMIUM
PREMIUM PROJECT PERFORMANCE

L10 LITHIUM NANOPHOSPHATE®
OPTIMUM
NOTHING ELSE COMPETES WITH NANOPHOSPHATE®

Features and Benefits

- AS/NZS 2293.3 compliant
- Low 1.4W to 1.8W standby power consumption
- Recessed mount
- All directional decals in one box
- Lithium Iron Phosphate or Nanophosphate® battery
- Clevertest Plus System compatible
- Theatre version available



ULTRABLADE PRO RECESSED EXIT

ORDERING INFORMATION		TS	LP	L10
TEST OPTIONS / PART #	Standard	EUBPRO-LI	CUBPRO	LUBPRO
	Clevertest Plus System Compatible	No	Yes	Yes
	Wall Mount Flag Style	-	CUBPRO-V	LUBPRO-V
	DALI	-	CUBPRO-DALI	LUBPRO-DALI
	Zoneworks® XT Hive	-	CUBPRO-HV	LUBPRO-HV
	Theatre Version	No	CUBPRO-TH	LUBPRO-TH
Carton Quantity	5			
Weight - Single (Carton)	1.1kg (5.5kg)			
Dimensions (L x W x H)	317mm x 8.7mm x 157mm - Blade Assembly 385mm x 67mm - Cover Plate 350mm x 48mm - Ceiling Cutout			
Directional Options	All Directional Inserts Included (Excluding Theatre Versions)			
Directional Options (Theatre Only)	-	Add Suffix to Part Number, -DS Double Sided, -R Pictograph, L (Left) or R (Right) ie. CUBPRO-TH-DS-R		

POWER, LAMPS AND BATTERY	TS	LP	L10
Power Consumption (Standby / Max)	1.8W / 2.8W	1.4W / 3.7W	
Lamp(s)	50,000 Hour LED	100,000 Hour LED	
Battery	Lithium Iron Phosphate		Lithium Nanophosphate®
Voltage (V) / Capacity (mAh)	3.2V / 1100mAh	3.2V / 1500mAh	3.3V / 2500mAh
Charging Method	Intelligent Current Limited Constant Voltage		

TECHNICAL SPECIFICATIONS	
Operating Mode	Maintained
Voltage (V) Frequency (Hz)	220-240V (50Hz)
Construction - Body / Diffuser	PC-ABS / PC
Viewing Distance	24m
Mounting Type	Single & Double Sided
Operating Temperature	1°C to 40°C
IP Rating (IP)	IP20

ACCESSORIES	TS	LP	L10
Mounting Adaptor for Ultrablade	2740054	2740054	2740054

CLASSIFICATION	TS	LP	L10
C0	E5	E6.3	E6.3
C90	E5	E6.3	E6.3
C0 - Flag Style	-	E1.25	B1.25
C90 - Flag Style	-	E1.25	B1.25

SPACING TABLE AND MOUNTING HEIGHTS – AS/NZS 2293.1:2018 (MINIMUM LIGHT LEVEL OF 0.2 LUX)									
Classification	2.1m	2.4m	2.7m	3.0m	3.3m	3.6m	4.0m	4.5m	5.0m
B1.25	2.7	2.6	0.0	0.0	0.0	-	-	-	-
E5	6.6	7.0	7.4	7.7	7.9	8.1	8.2	8.2	8.0
E6.3	6.9	7.4	7.9	8.2	8.5	8.8	9.1	9.2	9.3
E1.25	4.1	4.1	0.0	0.0	0.0	0.0	-	-	-

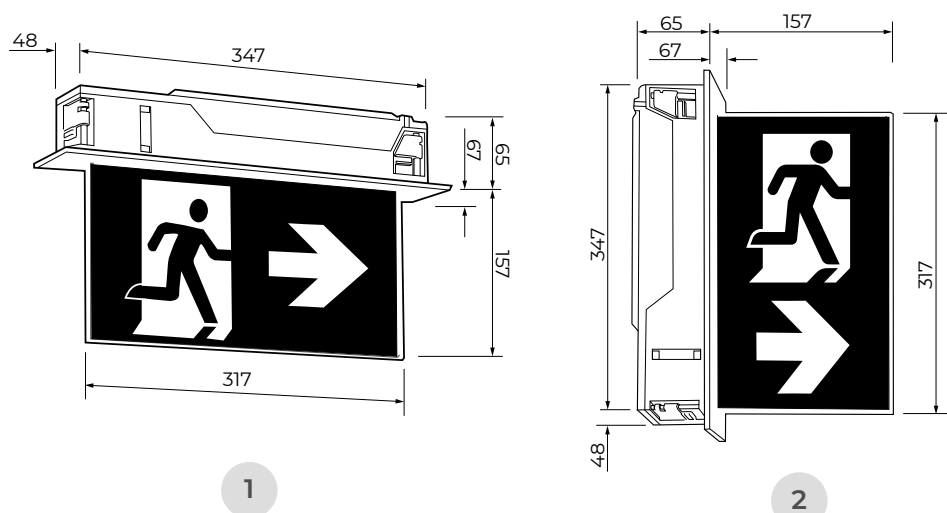
For 1 lux and AS/NZS 2293.1:2005 spacing tables please visit: <https://clevertronics.com.au/spacing-tables/>

Based on minimum light level of 0.2 lux. Maximum allowed mounting height is 2.7m but for exceptions see AS/NZS 2293.1. Spacing classifications do not apply for theatre versions.

*Warranty information located at: <https://clevertronics.com.au/warranty-statement/>

Product Configuration:

- 1 Recessed (Standard)
- 2 Recessed (Wall Mount Flag Style)



clevertronics.co.nz
clevertronics.com.au

1 Caribbean Drive, Scoresby VIC 3179
P +61 3 9559 2700 F +61 3 9559 2799 E info@clevertronics.com.au

Clevertronics is committed to continuously improving its products. All features and specifications are subject to change without prior notice.
_PRODUCT SHEETS – ANZ Ultrablade Pro Recessed 04OCT22

Dimensions (mm)

